

Contact  
CONTROL

# ACP5 LonWorks

## ACP5 LonWorks (for the use in LonWorks)

- Easy interface between BMS and LG Air Conditioner(including Ventilation, DXHRV and Air-to-Water Heat Pump)
  - LonWorks Gateway for LG Air Conditioner(including Ventilation, DXHRV and Air-to-Water Heat Pump)
  - Very widely applicable protocol(**LonTalk®** protocol)



### Features

- LonMark® interoperability Guidelines Version 3.4 Compliance.
- LonWorks gateway between LonMark/LonTalk® protocol and LGAP (LG Air conditional Protocol)  
The Gateway can convert the LonTalk protocol to the LGAP protocol.
- Process ability
  - 64 units (Air Conditioner + Ventilation + DXHRV + Air-to-Water Heat Pump, not separately)
- Self installation verification function using ACP web browser
  - setting devices
  - diagnosis of communication status on LG Air Conditioner(including Ventilation, DXHRV and Air-to-Water Heat Pump)

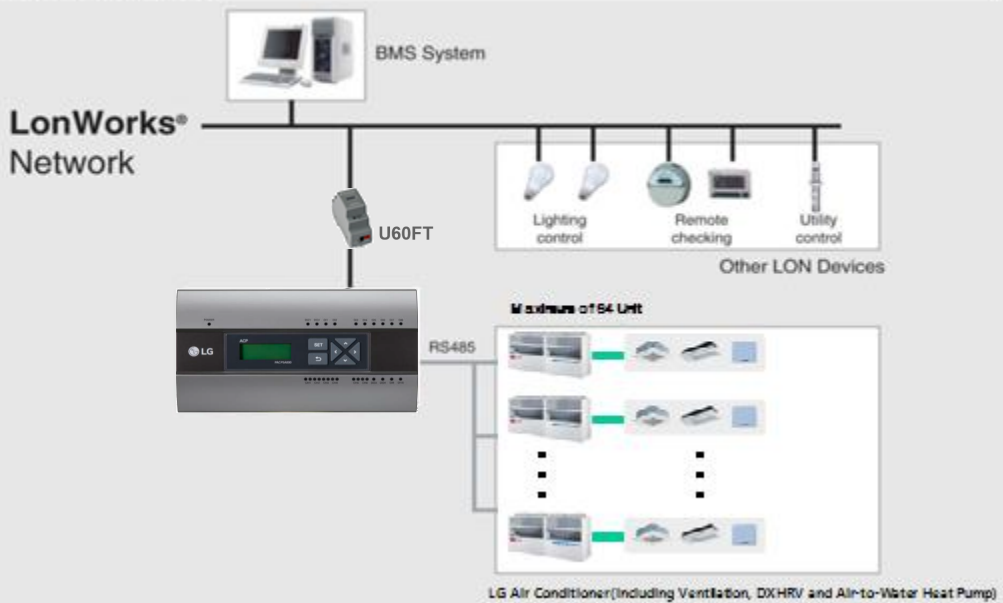
### Function block

Control	Monitor
On/Off	On/Off
Mode	Mode
All Lock	All Lock
Set Temp	Set Temp
FanSpeed	FanSpeed
AutoSwing	AutoSwing
Mode Lock	Mode Lock
Fan Lock	Fan Lock
Temperature Lock	Temperature Lock
Temperature Upper Limit	Temperature Upper Limit
Temperature Lower Limit	Temperature Lower Limit
Additional Funtionality	Additional Funtionality
AC Operation	AC Operation
AC Mode	AC Mode
	Product Type
	Product Address
	RoomTemperature
	Alarm
	Power
	Hot Water Only Mode
	Hot Water Tank Temperature
	Pipe In Temperature
	Pipe Out Temperature

Contact  
CONTROL

# ACP5 LonWorks

## System Configuration



## Technical Specifications

Index	Details
Dimension (WxHxD)	270mm x 155mm x 65mm
Communication Port	RS485 Connector LG-Net(Connects to LG-AHU) USB : For LonWorks(Connection with U60FT Module) Ethernet Port
Ethernet	100/10 BASE-T
Debug	RS-232C
Serial	RS-485 Port(LG-NET)
Lonworks	FT-10 Free Topology with U60FT Module
Power	12VDC, max 2.3A

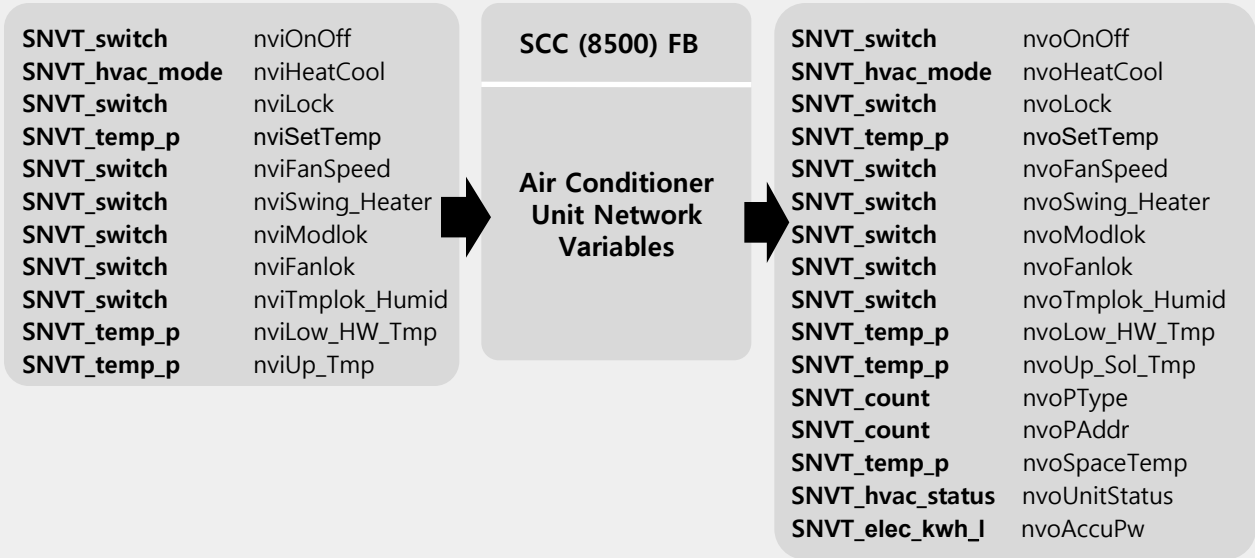
- FT-10 line is used to connect communication lines between BMS System and the ACP5 LonWorks

Contact CONTROL

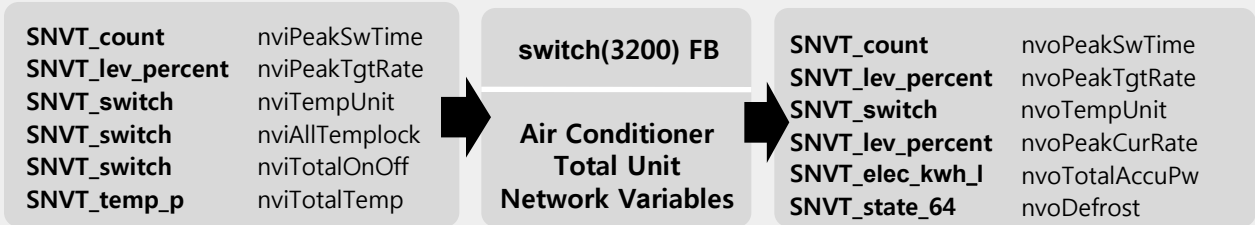
# ACP5 LonWorks

## Technical Specifications

### Air Conditioner Standard Function Block



### General Function Block

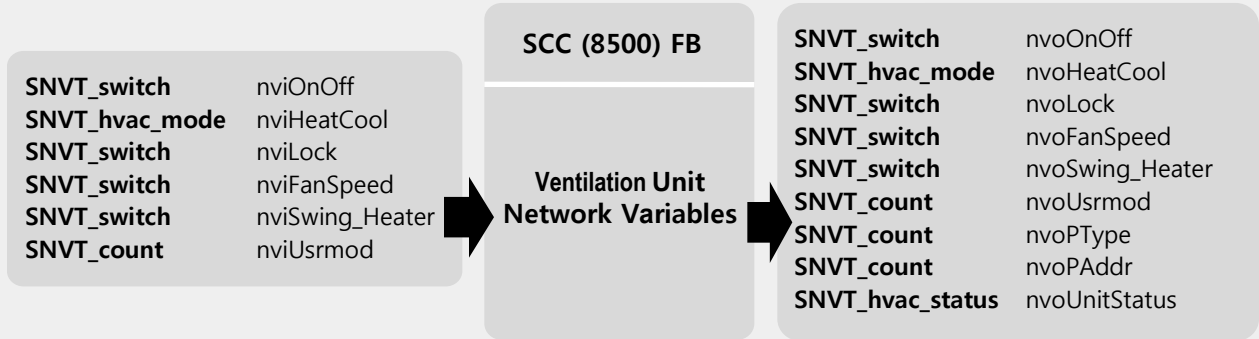


Contact CONTROL

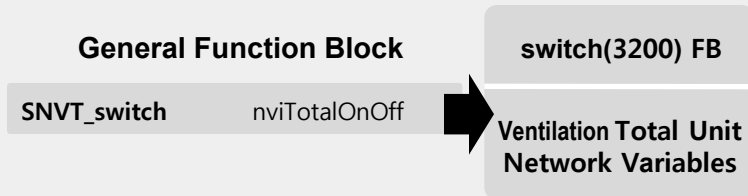
# ACP5 LonWorks

## Technical Specifications

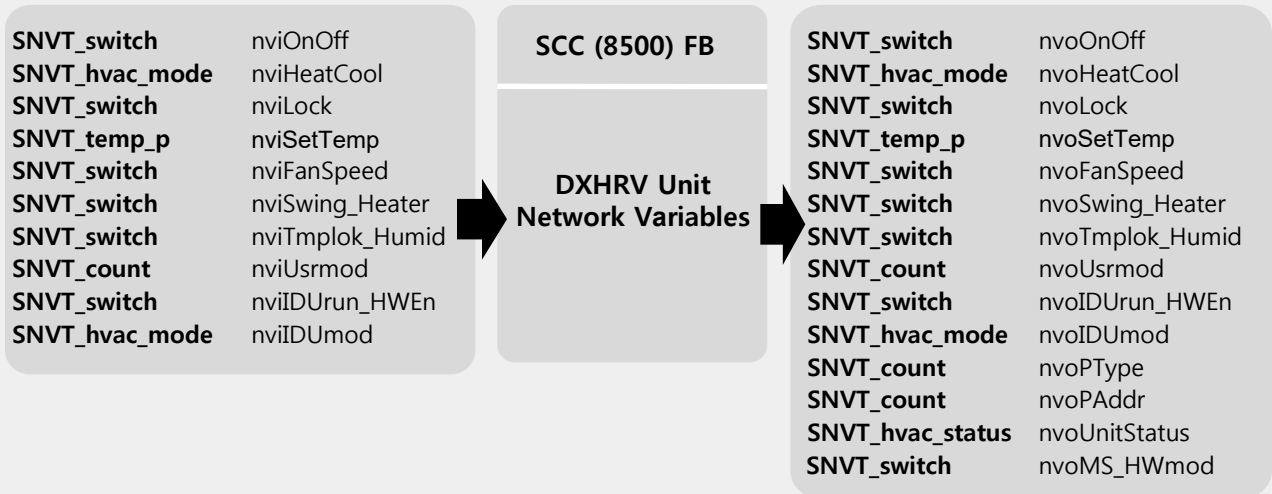
### Ventilation Standard Function Block



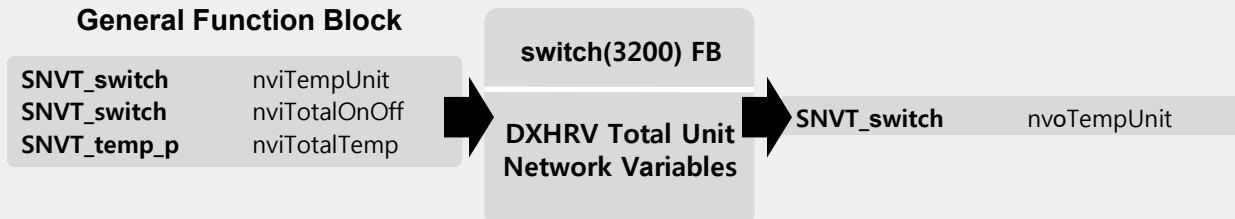
### General Function Block



### DXHRV Standard Function Block



### General Function Block

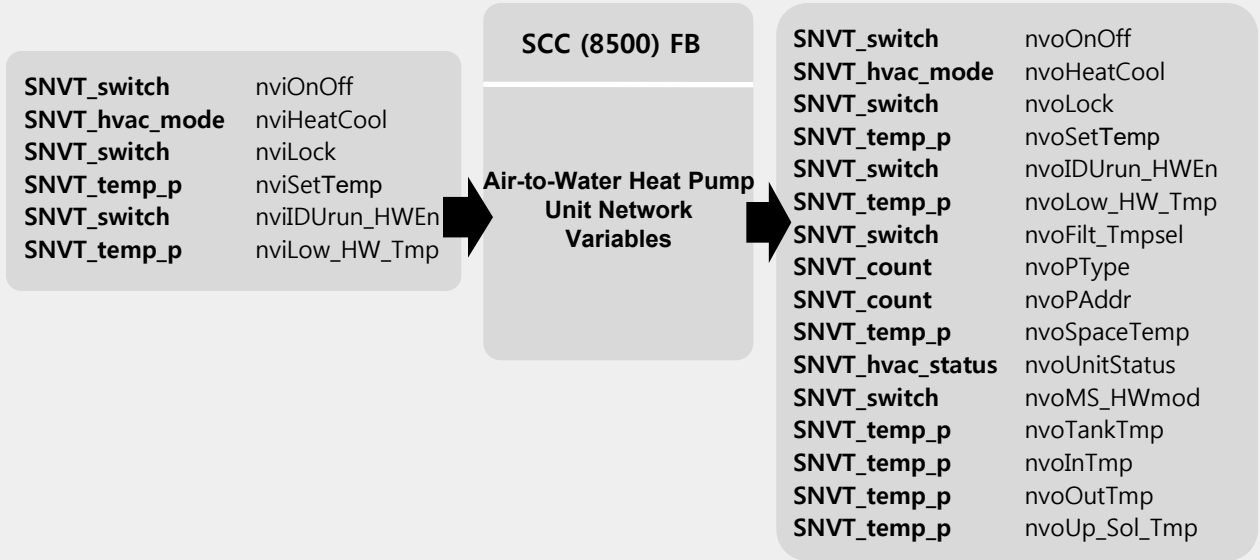


Contact CONTROL

# ACP5 LonWorks

## Technical Specifications

### Air-to-Water Heat Pump Standard Function Block



### General Function Block

