

Contact CONTROL

ACP Lonworks G/W_AC

ACP Lonworks G/W_AC (for the use in LonWorks)

- Easy interface between BMS and LG Air Conditioner(including Ventilation, DXHRV and Air-to-Water Heat Pump)
 - LonWorks Gateway for LG Air Conditioner(including Ventilation, DXHRV and Air-to-Water Heat Pump)
 - Very widely applicable protocol(**LonTalk®** protocol)



Features

- LonMark® interoperability Guidelines Version 3.4 Compliance.
- LonWorks gateway between LonMark/LonTalk® protocol and LGAP (LG Air conditional Protocol)
The Gateway can convert the LonTalk protocol to the LGAP protocol.
- Process ability
 - 64 units (Air Conditioner + Ventilation + DXHRV + Air-to-Water Heat Pump, not separately)
- Self installation verification function using ACP web browser
 - setting devices
 - diagnosis of communication status on LG Air Conditioner(including Ventilation, DXHRV and Air-to-Water Heat Pump)

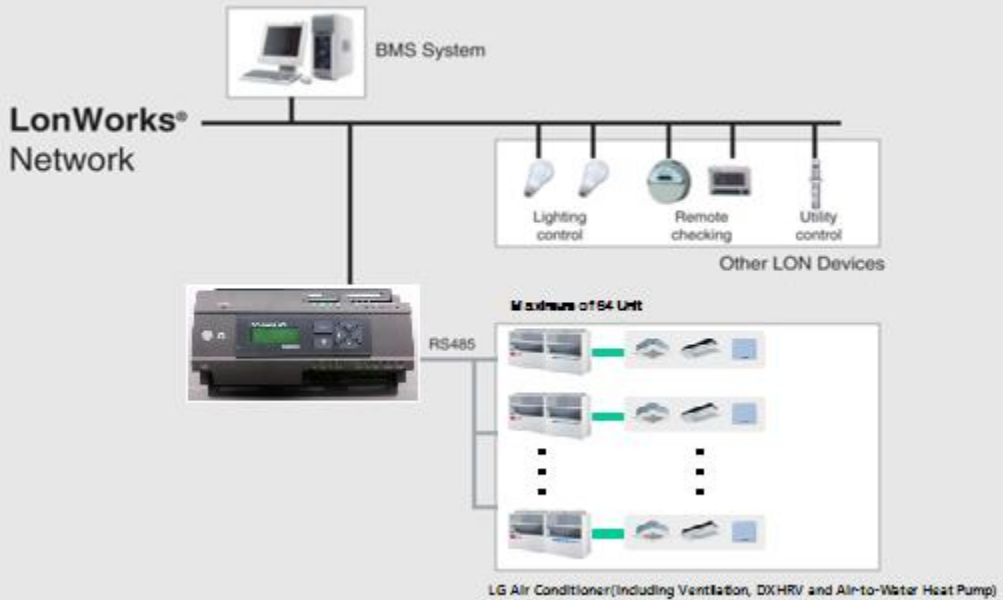
Function block

Control	Monitor
On/Off	On/Off
Mode	Mode
All Lock	All Lock
Set Temp	Set Temp
FanSpeed	FanSpeed
AutoSwing	AutoSwing
Mode Lock	Mode Lock
Fan Lock	Fan Lock
FanSpeed Lock	FanSpeed Lock
Temperature Lock	Temperature Lock
Temperature Upper Limit	Temperature Upper Limit
Temperature Lower Limit	Temperature Lower Limit
Filter	Filter
Additional Funtionality	Additional Funtionality
AC Operation	AC Operation
AC Mode	AC Mode
	Product Type
	Product Address
	RoomTemperature
	Error
	Wattmeter
	Hot Water Only Mode
	Hot Water Tank Temperature
	Pipe In Temperature
	Pipe Out Temperature

Contact
CONTROL

ACP Lonworks G/W_AC

System Configuration



Technical Specifications

Index	Details
Dimension(WxHxD)	270mm X 155mm X 64.8mm
Communication Port	RS485 Connector LG-Net(connects to LG-AHU) LonWorks FT-10 Connector(connects to BMS) Ethernet port
Ethernet	RTL8201B REALTEK (10/100 BASE-T)
Debug	RS-232C
Serial	RS-485 Port (LG-NET)
LonWorks	FT-10 Free Topology channel
LED	Serial, Lonwork, Ethernet, Power, Run
Power	DC 12V / AC 24V, 3.3A, 40W max

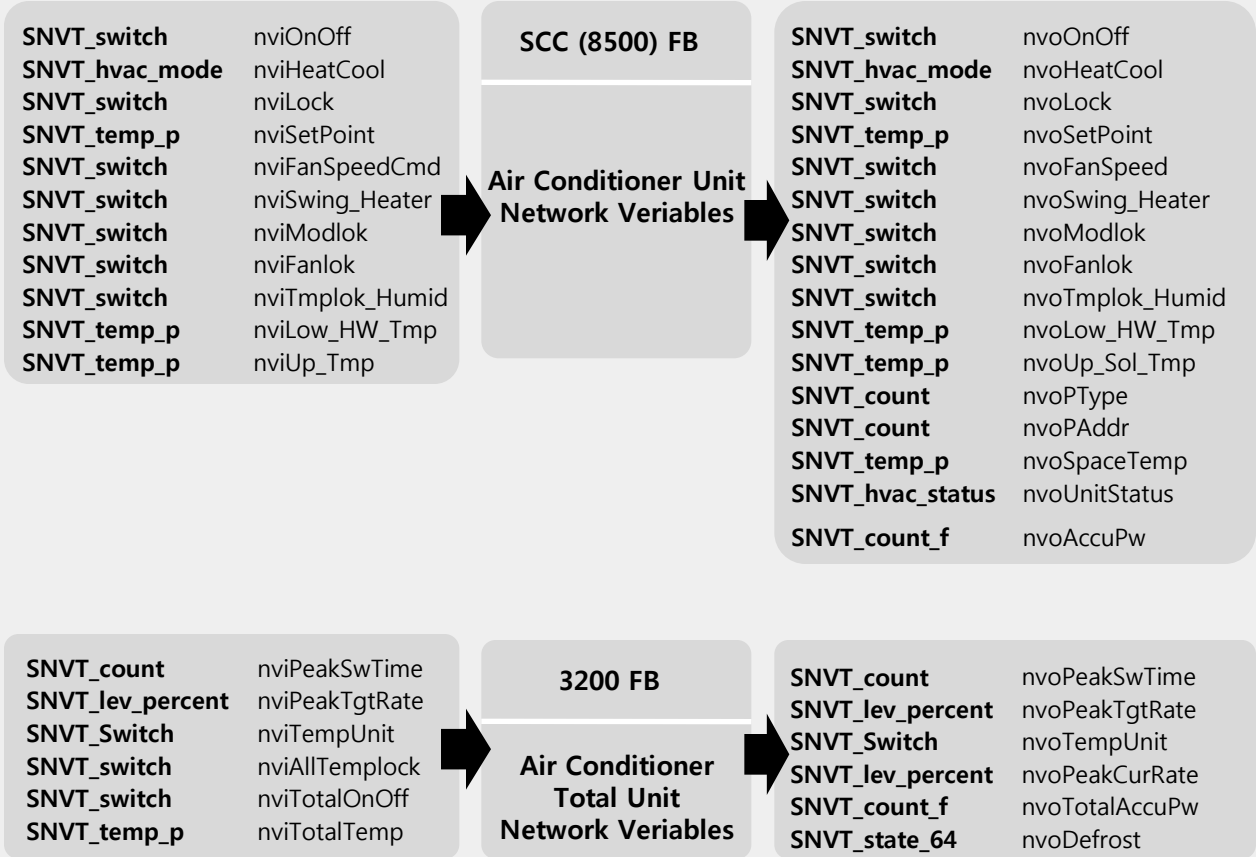
- FT-10 line is used to connect communication lines between BMS System and the ACP Lonworks G/W for LonWorks

Contact CONTROL

ACP Lonworks G/W_AC

Technical Specifications

Air Conditioner Standard Function Block

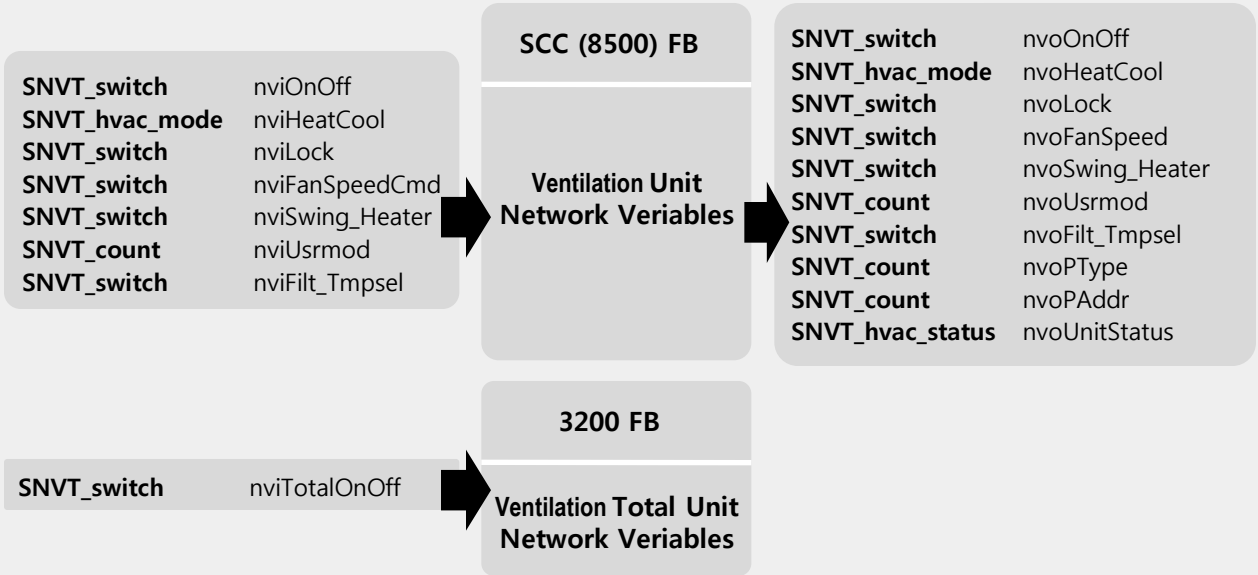


Contact CONTROL

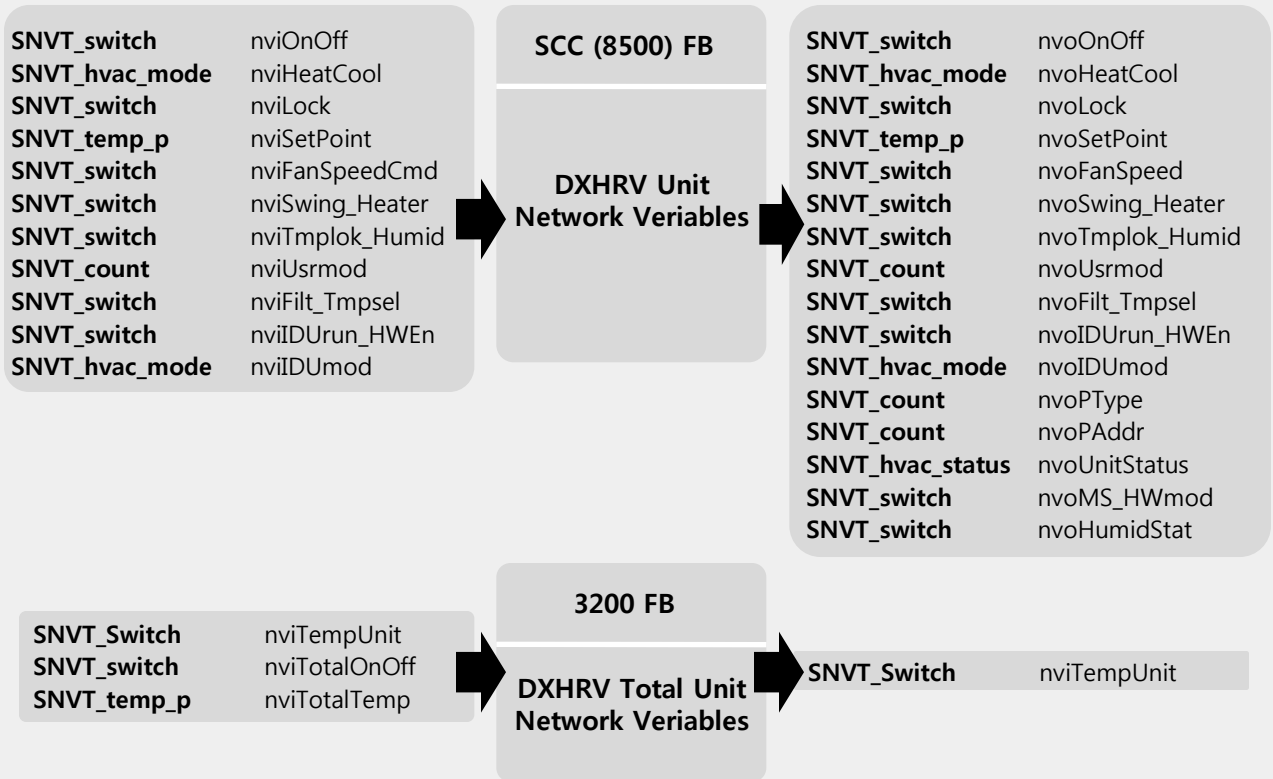
ACP Lonworks G/W_AC

Technical Specifications

Ventilation Standard Function Block



DXHRV Standard Function Block



Contact
CONTROL

ACP Lonworks G/W_AC

Technical Specifications

Air-to-Water Heat Pump Standard Function Block

