

- 6 Universal Inputs
- 5 Triac Outputs (PWM or Digital)
- 2 Universal Outputs (0-10V, PWM or digital 0-12V)

Applications

- Designed to meet the requirements of any unit ventilator application
- Controls unit ventilator applications such as:
 - Combined hot and chilled water coil (2-pipe)
 - Separate hot and chilled water coils (4-pipe)
 - Hot water coil and direct-expansion coil
 - Electric heating and chilled water coil or direct-expansion coil
 - Gas-fired furnace with direct expansion coil
- Controls up to 4 stages of cooling (reversible) or heating
- Compatible with a wide range of sensors and actuators

Features

Interoperability

- Based on LONWORKS® technology for peer-to-peer communication between controllers
- LONMARK certified according to the Interoperability Guidelines Version 3.3
- LONMARK Functional Profile: Unit Ventilator #8080

Hardware

- Fire retardant plastic enclosure
- Separable base plate allows base with connectors to be shipped to site for installation while engineering is done at the office
- Light weight enclosure saves on shipping cost
- 6 universal inputs (software configurable)
- 5 triac outputs (PWM or digital)
- 2 universal outputs (0-10V, PWM or digital 0-12V)
- Operate controller as a stand-alone unit or as part of a networked system
- Status indicator on each output
- Universal outputs and power supply are fuse-protected
- Transmit, receive and power LED indicators
- Audio jack for quick access to LON® network
- DIN rail mounting integrated into the enclosure

Software

- LNS® plug-in or Niagara Framework™ EC-Net or Niagara™ Framework™ EC-Net™ wizards available for configuration and monitoring
- With an intuitive interface, these provide easy customization of hardware I/O, control sequences and communication schemes
- Easily configure all features, including:
 - Input and output types and properties
 - Heating and cooling stages
 - Control variable speed fans and floating valves
 - PID control loops
 - Economizer settings
- Additional built-in features:
 - Optimum start
 - Load shedding
 - Frost protection
 - Humidity control and dehumidification cycle
 - Changeable network variable types
- Allows the use of spare I/O points to be linked to other controllers on the network
- Application settings and control sequences stored in a 64K non-volatile Flash memory



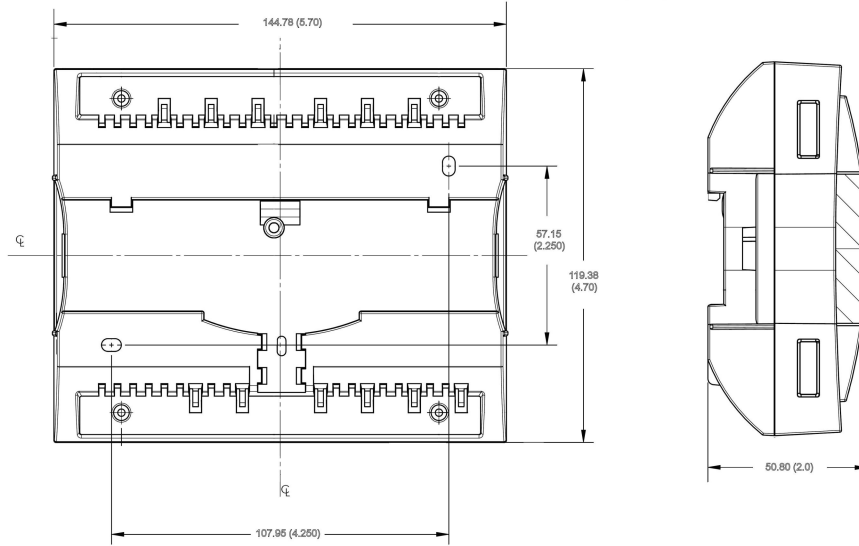
The **easyCONTROLS EC-UV-L** controller is a microprocessor-based unit ventilator controller designed to control almost any unit ventilator application. The EC-UV-L controller uses the LonTalk® communication protocol and is LONMARK certified using the unit ventilator profile #8080. The EC-UV-L is designed to work with all types of unit ventilators, including two pipe and four pipe units.

The EC-UV-L can be configured by using the EC-Configure plug-in through either any LNS-based software such as Distech Controls Lonwatcher, or by using a multi-protocol platform software supporting LONWORKS devices such as the EC-Net and EC-Net^{AX} software powered by the Niagara Framework and Niagara^{AX} Framework respectively. These configuration interfaces are designed to simplify configuration and sequencing methods by prompting the user for the necessary configuration data. The controller then automatically selects the operation sequence according to the input and output configurations and dynamically adapts itself to the network variables that are bound to the controller.

The **easyCONTROLS** product line is built to meet rigorous quality standards and carries a two-year warranty. The complete line of **easyCONTROLS** controllers is designed for use with any LONWORKS-based and/or any other open and interoperable system – such as EC-Net^{AX}. This provides both the contractor and the end user with the flexibility of using “best of breed” products in system design.

Product Specifications

mm (Inch)



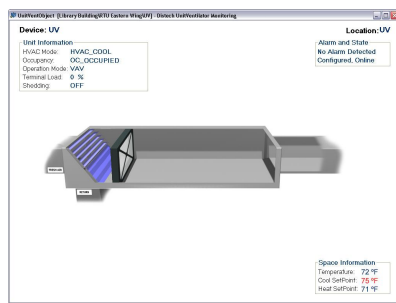
Power		Inputs	
Voltage	24VAC; $\pm 15\%$, 50/60HZ, Class 2	Quantity	6
Protection	1.35A auto-reset fuse	Input Types:	Universal (software configurable)
Typical Consumption	6VA	-Voltage	0-10VDC, Accuracy $\pm 0.5\%$
Maximum Consumption	15VA	-Current	4-20mA with 249 Ω external resistor (wired in parallel), Accuracy $\pm 0.5\%$
Environmental		-Digital	Dry contact
Operating Temperature	0°C to 70°C; 32°F to 158°F	-Resistor:	
Storage Temperature	-20°C to 70°C; -4°F to 158°F	<i>Thermistor</i>	Type 2, 3 10K Ω
Relative Humidity	0 to 90% Non-condensing	<i>Potentiometer</i>	Accuracy: $\pm 0.5^\circ\text{C}$; $\pm 0.9^\circ\text{F}$ Range: -40°C to 125°C; -40°F to 257°F Resolution: 0.1°C; 0.18°F Translation table configurable on several points, Accuracy $\pm 0.5\%$
General		Input Resolution	12-bit analog / digital converter
Standard	LONMARK Functional Profile: Unit Ventilator #8080	Outputs	
Processor	Neuron [®] 3150 [®] , 8 bits; 10MHZ	Quantity	7
Memory	Non-volatile Flash 64K (APB application & configuration properties)	5 Digital	- Triac 1.0A @ 24VAC - External power supply
Communication	LonTalk Protocol	2 Universal	- 0-10VDC (linear), 20°C; -40°F to 257°F - PWM output: adjustable period from 2 seconds to 15 minutes - 60mA max. @ 12VDC (60°C; 140°F) - Maximum load 200 Ω - Auto-reset fuse: - 60mA @ 60°C; 140°F - 100mA @ 20°C; 68°F
Transceiver	FT-X1	Output Resolution	8-bit digital / analog converter
Channel	TP/FT-10; 78Kbps	Agency Approvals	
Status Indicator	Green LED: power status & LON TX Orange LED: service & LON RX	UL Listed	UL916 Energy management equipment
Communication Jack	LON audio jack mono 1/8" (3.5mm)	(CDN & US)	
Enclosure		Material ¹	UL94-5VA
Material	ABS PA-765A		
Color	Blue casing & grey connectors		
Dimension w/ Screws	5.7x4.7x2.0" (144.8x119.4x50.8mm)		
Shipping Weight	0.77lbs (0.35kg)		
Installation	Direct din-rail mounting or wall mounting through mounting holes (see figure above for hole positions)		
Electromagnetic Compatibility			
CE -Emission	(CDN & US)		
-Immunity	Material ¹		
	EN61000-4-2: 1995, level 2 by contact		
	EN61000-4-3: 1996, level 2		
	EN61000-4-4: 1995, level 2		
	EN61000-4-6: 1996, level 2		
	ENV 50204 : 1995, level 2		
FCC	This device complies with FCC rules part 15, subpart B, class B		

1. All materials and manufacturing processes comply with the directive on Waste Electrical and Electronic Equipment (WEEE).

Distech Controls Software Plug-ins and Wizards

Software Preview

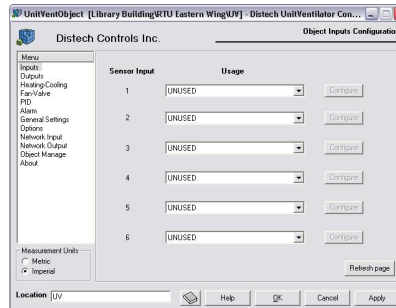
LNS Monitoring Plug-in*



The monitoring plug-in is a graphical user interface that monitors all device parameters including inputs, outputs, alarms and device status. There is no more need to create any graphics pages and as it can be launched from any GUI that supports plug-in applications, graphics dynamically adapt themselves to the configuration of the device as well as the real time values being monitored.

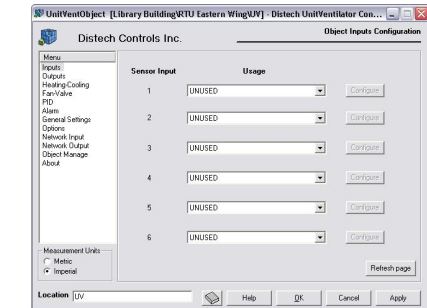
* LNS Plug-ins can be used with any LNS based network management and GUI tool, such as Distech Controls' Lonwatcher or Londsplay.

LNS Configuration Plug-in*



Easily configure all of the devices' parameters including inputs, outputs, fan and valve settings, heating and cooling setpoints, amongst others. You can also enable and configure additional built-in features such as optimum start, load shedding, frost protection and slave operation mode.

EC-Net^{AX} and EC-Net Wizards



Designed for use with the Niagara^{AX} Framework, the EC-Net^{AX} Wizards offer all the same features accessible within the LNS plug-in. Simply add the device to your LON network and immediately launch the configuration wizard with a couple clicks of your mouse!

Can also be used with the Niagara Framework. Through EC-Net add pre-defined shadow objects into your database and then launch the wizard.

Recommended Peripherals

Recommended Optional Accessories

Temperature Sensors



- | | |
|------------------|--|
| EC-SENSOR | Room sensor |
| EC-SENSOR-LO | Room sensor with LED and override push button |
| EC-SENSOR-SLO-CW | Room sensor with LED, override push button and setpoint adjustment (cool/warm) |
| EC-SENSOR-SLO-C | Room sensor with LED, override push button and setpoint adjustment (°C) |
| EC-SENSOR-SLO-F | Room sensor with LED, override push button and setpoint adjustment (°F) |
| EC-SENSOR-AVG | Averaging room sensor, no setpoint (Up to 3 in parallel) |
| EC-SENSOR-AVG-LO | Averaging room sensor with LED and override push button |

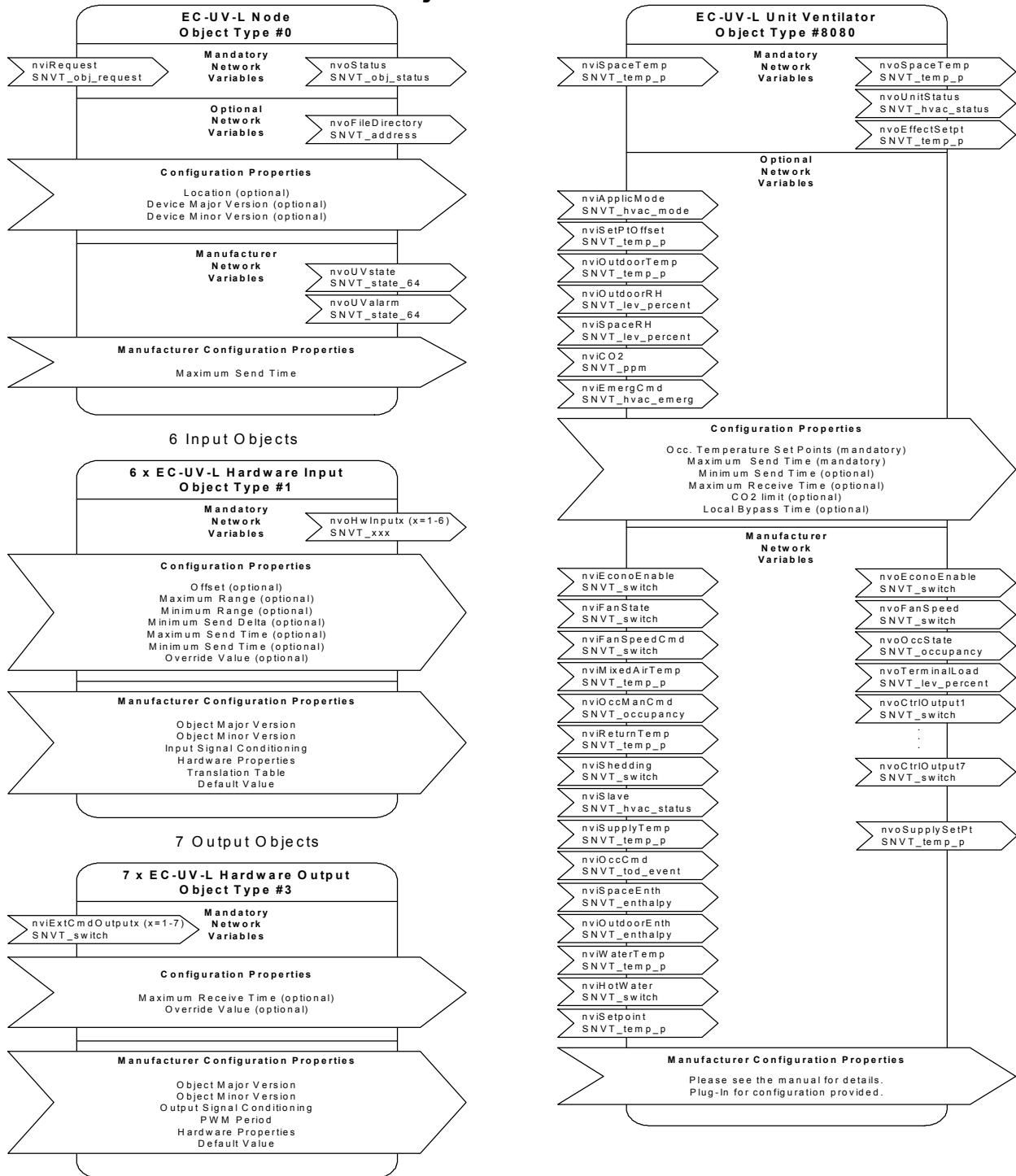
Other Peripherals

Please contact sales@distech-controls.com for a complete list of available products and peripherals.

Product Warranty and Total Quality Commitment

The easyCONTROLS product line is built to meet rigorous quality standards and carries a two-year warranty. Distech Controls is an ISO 9001 registered company. Distech Controls' products provide both the contractor and the end user with the flexibility of using "best-of-breed" products in system design.

LONMARK® Objects & Network Variables



Specifications subject to change without notice. easyCONTROLS, Distech Controls logos are trademarks of Distech Controls Inc.; LONWORKS, LONMARK, LONTALK, LNS and LON are registered trademarks of Echelon Corporation. Niagara Framework and Niagara^{AX} Framework are trademarks of Tridium, Inc.



05DI-DSUVLXX-31

EC-UV-L

Distech Controls, Inc.

Tel. Toll-free North America: 1-800-404-0043

Tel. International: 450-444-9898

<http://www.distech-controls.com>

sales@distech-controls.com