

# TEC22x6(H)-2 Series LONWORKS® Network Thermostats with Two Outputs, Dehumidification Capability, and Three Speeds of Fan Control

Code No. LIT-12011118  
 Issued August 11, 2006  
 Supersedes May 24, 2006

## Product Bulletin

The TEC22x6(H)-2 Series Thermostats are LONWORKS® network devices that provide control of two- or four-pipe fan coils, cabinet unit heaters, or other equipment using on/off, floating, or proportional 0 to 10 VDC control input, dehumidification capability, and up to three speeds of fan control. The technologically advanced TEC22x6(H)-2 Series Thermostats feature a Building Automation System (BAS) LONWORKS network communication capability that enables remote monitoring and programmability for efficient space temperature control. Specific models are available to accommodate commercial and hospitality applications.

The TEC22x6(H)-2 Series Thermostats feature an intuitive user interface with backlit display that makes setup and operation quick and easy. The thermostats also employ a unique, Proportional-Integral (PI) time-proportioning algorithm that virtually eliminates temperature offset associated with traditional, differential-based thermostats.



**Figure 1: TEC22x6-2 Series LONWORKS Network Thermostat with Two Outputs, Dehumidification Capability, and Three Speeds of Fan Control**

**Table 1: Features and Benefits**

Features	Benefits
<b>LONWORKS Network Communication</b>	Provides compatibility with a proven communication network; LONWORKS network is widely accepted by Heating, Ventilating, and Air Conditioning (HVAC) control suppliers.
<b>Integral Humidity Sensing Capability and Dehumidification Capability (Dehumidification Models)</b>	Increases occupancy comfort by providing dehumidification.
<b>Backlit Liquid Crystal Display (LCD)</b>	Offers real-time control status of the environment in easy-to-read, English plain text messages with constant backlight that brightens during user interaction.
<b>On/Off, Floating, or Proportional 0 to 10 VDC Control</b>	Offers additional application flexibility by providing more advanced control signals.
<b>Three Speeds of Fan Control</b>	Provide easy <b>FAN</b> speed selection via the interface key to meet the application requirements.
<b>Override Interface Key (Commercial Models)</b>	Allows easy access for temporarily overriding the unoccupied mode.
<b>Temperature Scale Selector Key (Hospitality Models)</b>	Offers guests the ability to select a Fahrenheit (°F) or Celsius (°C) temperature scale display.
<b>Simplified Setpoint Adjustment</b>	Enables the user to change the setpoint by simply pressing the <b>UP/DOWN</b> arrow keys.
<b>Two Configurable Binary Inputs</b>	Provide additional inputs for advanced functions such as remote night setback, service or filter alarms, motion detector, and window status.
<b>Over 20 Configurable Parameters</b>	Enable the thermostat to adapt to any application, allowing installer parameter access without opening the thermostat cover.

## Product Overview

The TEC22x6(H)-2 Series Thermostats are specifically designed for networked control of common two- or four-pipe heating and cooling equipment using on/off, floating, or proportional 0 to 10 VDC control. In addition to superior temperature control and application flexibility, the TEC22x6(H)-2 Series features LONWORKS network communication capability, allowing the user to view operation or make adjustments from a remote workstation. Plain text menus, backlit display, and five interface keys make setup and operation quick and easy.

**IMPORTANT:** The TEC22x6(H)-2 Series Thermostats are intended to provide an input to equipment under normal operating conditions. Where failure or malfunction of the thermostat could lead to personal injury or property damage to the controlled equipment or other property, additional precautions must be designed into the control system. Incorporate and maintain other devices such as supervisory or alarm systems or safety or limit controls intended to warn of, or protect against, failure or malfunction of the thermostat.

## Additional Features

The TEC22x6(H)-2 Series Thermostats offer many other features, including:

- **Adjustable Heating/Cooling Deadband**  
Adjusts the minimum heating/cooling deadband from 2.0F°/1.0C° to 5.0F°/2.5C°.
- **Remote Indoor Sensing**  
Accommodates remote indoor sensors. Up to three indoor sensors can be averaged.

- **Five Easy-to-Use Interface Keys**  
Allow for easy commissioning of the thermostat and eliminate the need for DIP switches.
- **Six Levels of Keypad Lockout**  
Provide six levels of keypad lockout that can be set up through the Installer Configuration Menu.
- **Accessible Configuration Parameters**  
Allow local access to all configurable parameters while limiting unwanted parameter tampering once the thermostat is set up.
- **Three Light-Emitting Diodes (LEDs)**  
Provide fan, heating, and cooling status at a glance.
- **Adjustable Temporary Occupancy Time**  
Adjusts the temporary occupancy time from 0 to 24 hours.
- **Auxiliary Contact**  
Provides 24 VAC control for reheat, lighting, and other auxiliary functions.
- **Adjustable Heating/Cooling Cycles per Hour (On/Off Control)**  
Configurable for the maximum number of heating and cooling cycles (4 to 8 cycles maximum) in a 1-hour period, balancing temperature control and equipment cycling.
- **Nonvolatile Electrically Erasable Programmable Read-Only Memory (EEPROM)**  
Prevents loss of adjusted parameters during a power failure.
- **Remote Access**  
Allows the user to read/write and access the parameters of the thermostat via a supervisory controller.

**Table 2: Thermostat Models**

Code Number	Control Outputs	Fan Control	Dehumidification Capability	Application
TEC2216-2	Two On/Off	Three Speeds	No	Commercial Market
TEC2216H-2				Hospitality Market
TEC2226-2	Two On/Off or Floating			Commercial Market
TEC2226H-2				
TEC2236-2	Two Proportional 0 to 10 VDC		Yes	Commercial Market
TEC2236H-2			Hospitality Market	
TEC2246-2	Two Proportional 0 to 10 VDC		No	Commercial Market
TEC2246H-2			Hospitality Market	
TEC2256-2			Yes	Commercial Market
TEC2256H-2			Hospitality Market	

**Table 3: Accessories (Order Separately)**

Code Number	Description
SEN-600-1	Remote Indoor Air Temperature Sensor
TE-6361P-1	8 in. (203 mm) <sup>1</sup> Duct Mount Air Temperature Sensor
SEN-600-4	Remote Indoor Air Temperature Sensor with Occupancy Override and LED
TE-636S-1	Strap-On Temperature Sensor

1. Other probe lengths available.

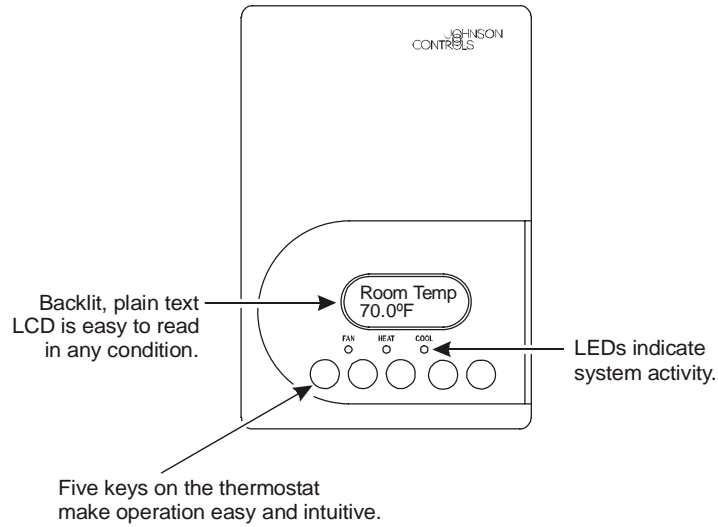


FIG6fint\_lw\_22x6

**Figure 2: Front Cover of Thermostat**

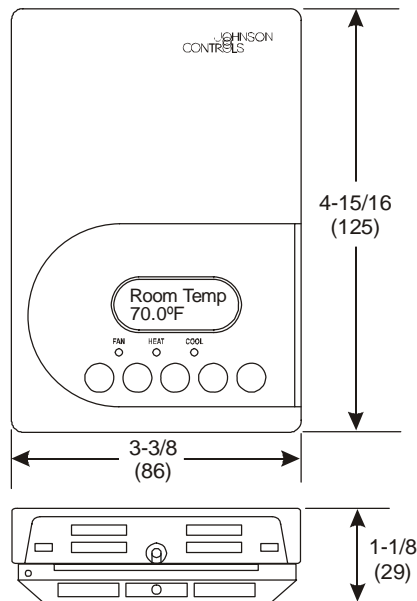


FIG6fint\_lw\_22x6

**Figure 3: Thermostat Dimensions, in. (mm)**

## Thermostat User Interface Keys

The TEC22x6(H)-2 Series Thermostat user interface consists of five keys on the front cover (as illustrated in Figure 2). The function of each key is as follows:

- **MODE** key toggles among the system modes available, as defined by selecting the appropriate operation sequence in the Installer Configuration Menu (for example Off, Heat, Cool, Auto).
- **FAN** key toggles among the fan modes available, as defined by selecting the appropriate fan menu options defined in the Installer Configuration Menu (for example Low, Med, High, Auto).
- The **OVERRIDE** key (commercial models) overrides the unoccupied mode to occupied at the local user interface for the specified TOccTime. (TOccTime is defined by selecting the appropriate time period in the Installer Configuration Menu.) **OVERRIDE** key also allows access to the Installer Configuration Menu. (See the *Installer Configuration Menu* section.)  
**Note:** If one of the binary inputs is configured to operate as a remote override contact, this **OVERRIDE** function is disabled.
- **°C/°F** key (hospitality models) changes the temperature scale to either Celsius or Fahrenheit and allows access to the Installer Configuration Menu. (See the *Installer Configuration Menu* section.)  
**Note:** For hospitality models, binary inputs can override from the unoccupied mode to occupied mode.
- **UP/DOWN** arrow keys change the configuration parameters and activate a setpoint adjustment.

## Backlit LCD

The TEC22x6(H)-2 Series Thermostats include a 2-line, 8-character backlit display. Low-level backlighting is present during normal operation, and it brightens when any user interface key is pressed. The backlight returns to low level when the thermostat is left unattended for 45 seconds.

## LEDs

Three LEDs are included to indicate the fan status, call for heat, or call for cooling:

- The **FAN** LED is on when the fan is on.
- The **HEAT** LED is on when heating or reheat is on.
- The **COOL** LED is on when cooling is on.

## Menu Overview

There are two menus available to view and configure the TEC22x6(H)-2 Series Thermostat:

- Status Display Menu
- Installer Configuration Menu

The following sections outline the functions and contents of each menu.

### **Status Display Menu**

The Status Display Menu is displayed during normal thermostat operation. This menu continuously scrolls through the following parameters:

- Room Temperature and Humidity (if humidity display is enabled)
- System Mode
- Schedule Status – Occupied/Unoccupied/Override
- Applicable Alarms – The backlight lights up as an alarm condition is displayed.

**Note:** An option is available within the Installer Configuration Menu to lock out the scrolling display and show only the Room Temperature parameter.

### **Installer Configuration Menu**

The Installer Configuration Menu is used to set up the thermostat for an application-specific operation. To access the menu, press and hold the center key for approximately 8 seconds.

The Installer Configuration Menu includes the following parameters that are accessed by pressing the same center key:

- BI1 and BI2 Input Configuration
- UI3 Input Configuration to Monitor Supply Air Temperature or Hot/Cold Water Changeover Switching
- Menu Scroll
- Auto Mode
- °F and °C Temperature Scales
- % Humidity Display (Dehumidification Models)
- Six Keypad Lockout Levels
- Pipe No.
- Control Type (Floating Models)
- Sequence of Operation
- Fan Menu
- Dehumidification Lockout (Dehumidification Models)
- Dehumidification Setpoint (Dehumidification Models)
- Dehumidification - Hysteresis (Dehumidification Models)
- Maximum Dehumidification Cooling Output (Dehumidification Models)
- Unoccupied Heating Setpoint/Unoccupied Cooling Setpoint
- Maximum Heating Setpoint/Minimum Cooling Setpoint
- Setpoint Type
- Temporary Occupancy Time
- Door Open Time
- Heating/Cooling Deadband
- Room Air Temperature Calibration
- Room Humidity Calibration (Dehumidification Models)
- Auxiliary Configuration
- Floating Time (Floating Models)
- Cycles per Hour (On/Off Models)
- Direct/Reverse Acting (Proportional Models)
- Reheat Time
- UI3 Display

### **Repair Information**

If the TEC22x6(H)-2 Series Thermostat fails to operate within its specifications, replace the unit. For a replacement TEC22x6(H)-2 Series Thermostat, contact the nearest Johnson Controls® representative.

## **Technical Specifications**

### **TEC22x6(H)-2 Series LONWORKS Network Thermostats with Two Outputs, Dehumidification Capability, and Three Speeds of Fan Control (Part 1 of 2)**

<b>Power Requirements</b>		19 to 30 VAC, 50/60 Hz, 2 VA (Terminals 4 and 5) at 24 VAC Nominal, Class 2 or Safety Extra-Low Voltage (SELV)
<b>Relay/Triac Contact Rating</b>	<b>On/Off and Floating Control</b>	30 VAC, 1.0 A Maximum, 3.0 A In-Rush
<b>Analog Output Rating</b>	<b>Proportional Control</b>	0 to 10 VDC into 2k ohm Resistance (Minimum)
<b>Fan Relay Output Rating</b>		30 VAC, 1.0 A Maximum, 3.0 A In-Rush
<b>Auxiliary Output Rating</b>	<b>Triac Output</b>	30 VAC, 1.0 A Maximum, 3.0 A In-Rush
<b>Digital Inputs</b>		Voltage-Free Contacts across Terminal Scm to Terminals BI1, BI2, or UI3
<b>Temperature Sensor Type</b>		Local 10k ohm Negative Temperature Coefficient (NTC) Thermistor
<b>Wire Size</b>		Unshielded Twisted Pair - 22 AWG (0.6 mm Diameter) Minimum, 18 AWG (1.0 mm Diameter) Recommended

**TEC22x6(H)-2 Series LONWORKS Network Thermostats with Two Outputs, Dehumidification Capability, and Three Speeds of Fan Control (Part 2 of 2)**

<b>LONWORKS Network Standard</b>		64 Devices Maximum without a Repeater, 127 Devices Maximum with a Repeater; 6,250 ft (1,905 m) Maximum (Bus Topology)
<b>Temperature Range</b>	<b>Backlit Display</b>	-40.0°F/-40.0°C to 122.0°F/50.0°C in 0.5° Increments
	<b>Heating Control</b>	40.0°F/4.5°C to 90.0°F/32.0°C
	<b>Cooling Control</b>	54.0°F/12.0°C to 100.0°F/38.0°C
<b>Accuracy</b>	<b>Temperature</b>	±0.9°F/±0.5°C at 70.0°F/21.0°C Typical Calibrated
	<b>Humidity</b>	±5% RH from 20 to 80% RH at 50 to 90°F (10 to 32°C)
<b>Minimum Deadband</b>		2°F/1°C between Heating and Cooling
<b>Ambient Conditions</b>	<b>Operating</b>	32 to 122°F (0 to 50°C); 95% RH Maximum, Noncondensing
	<b>Storage</b>	-22 to 122°F (-30 to 50°C); 95% RH Maximum, Noncondensing
<b>Compliance</b>	<b>United States</b>	UL Listed, File E27734, CCN XAPX, Under UL 873, Temperature Indicating and Regulating Equipment FCC Compliant to CFR 47, Part 15, Subpart B, Class A LONMARK® Certification 3.4 (pending)
	<b>Canada</b>	UL Listed, File E27734, CCN XAPX7, Under CAN/CSA C22.2 No. 24, Temperature Indicating and Regulating Equipment Industry Canada, ICES-003
	<b>Europe</b>	CE Mark, EMC Directive 89/336/EEC, standards EN 61000-6-3 and EN 61000-6-1
	<b>Australia and New Zealand</b>	C-Tick Mark, Australia/NZ Emissions Compliant
<b>Shipping Weight</b>		0.75 lb (0.34 kg)

*The performance specifications are nominal and conform to acceptable industry standards. For application at conditions beyond these specifications, consult the local Johnson Controls office. Johnson Controls, Inc. shall not be liable for damages resulting from misapplication or misuse of its products.*



**Controls Group**  
507 E. Michigan Street  
Milwaukee, WI 53202

© 2006 Johnson Controls, Inc.