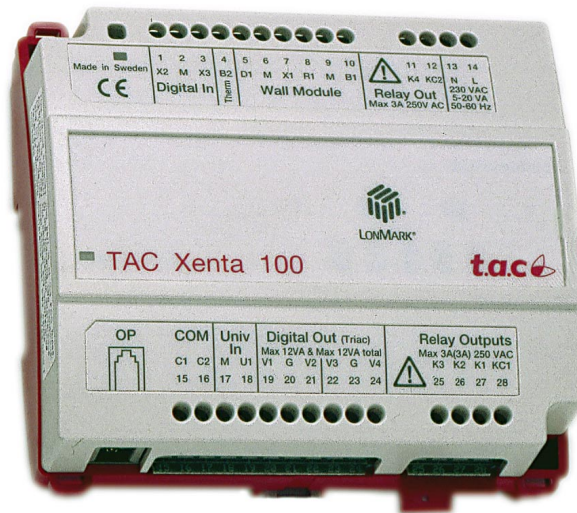




TAC Xenta 151-D

Dual Fire Smoke Damper Actuator Controller

1 July 2003



TAC Xenta® 151-D is a dual controller for use with two Fire Smoke Damper Actuators. It operates as part of a fire smoke system and handles the opening and closing of the dampers.

The controller is a LONMARK® compliant device according to the Fire Smoke Damper Actuator profile, No. 11001.

It communicates on a LONTALK® TP/FT-10 channel via a twisted-pair, unpolarized cable. Network variables can be monitored and configured via the TAC Xenta OP.

TAC Xenta 151-D has an embedded test functionality that allows the actuators to be tested on command from the supervising system.

TAC Xenta 151-D/230 is supplied with 230 VAC.

TECHNICAL DATA

Supply voltage 230 V AC $\pm 10\%$, 50–60 Hz
 Power consumption, Controller with TAC Xenta OP: ... 5 VA
 Ambient temperature:
 Operation 0 °C to +50 °C (32 °F to 122 °F)
 Storage –20 °C to +50 °C (–4 °F to 122 °F)
 Humidity max. 90% RH, non-condensing
 Enclosure:
 Material ABS/PC plastic
 Enclosure rating IP 30
 Color grey/red
 Dimensions 122x126x50 mm (4.8"x5.0"x2")
 Weight 0.6 kg (1.3 lb)
 Inputs X1–X4:
 Voltage across open contact 23 V DC ± 1 V DC
 Current through closed contact 4 mA
 Minimum pulse input duration 250 ms
 Relay outputs K1, K2, K3 and KC1;
 output K4 and KC2:
 Maximum voltage 250 V AC
 Maximum load 3 A
 Application program:
 Cycle time 0.25 s

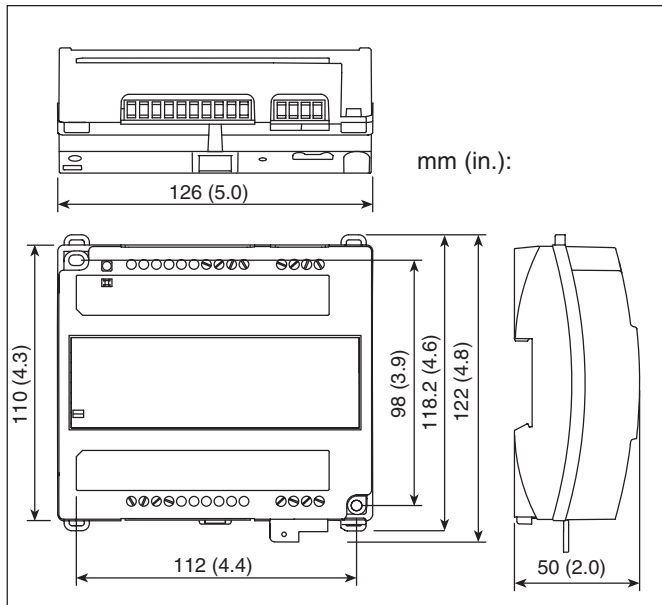
Indication LED colors:
 Power green
 Service red
 Interoperability:
 Standard TAC Xenta 151-D conforms to LONMARK Interoperability Guidelines 3.3 and LONMARK Functional Profile: Fire Smoke Damper Actuator No. 11001
 Communication protocol LONTALK
 Physical channel TP/FT-10, 78 kbps
 Neuron® type 3150®, 10 MHz
 Conformance to standards:
 Emission C-Tick, EN 50081-1, FCC Part 15
 Immunity EN 50082-1
 Safety:
 CE EN 61010-1
 ETL listing UL 3111-1, first edition
 CAN/CSA C22.2 No. 1010.1-92
 Flammability class, materials UL 94 V-0
 Part number, TAC Xenta 151-D/230:
 Controller 0-073-0605



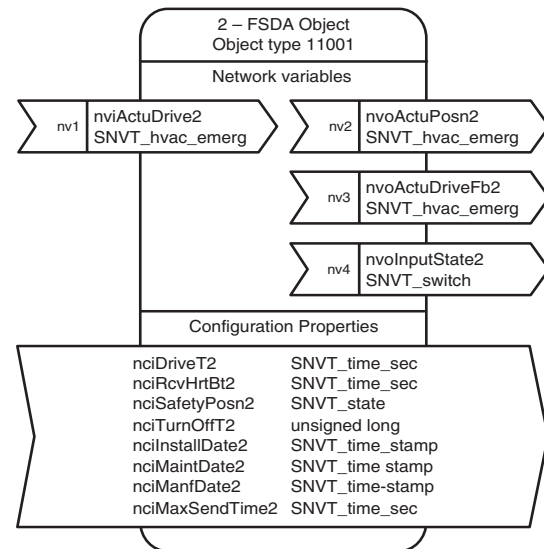
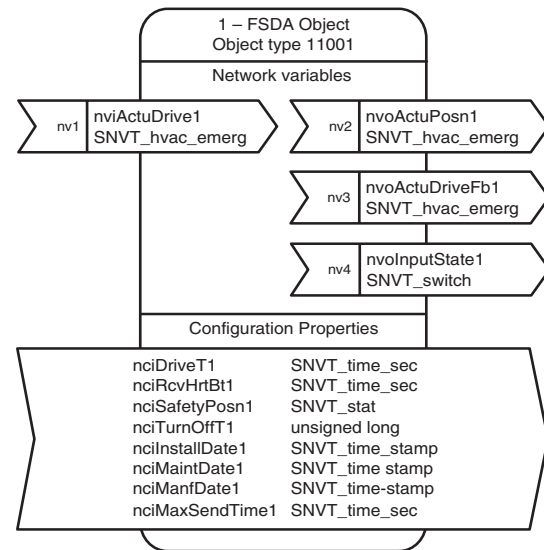
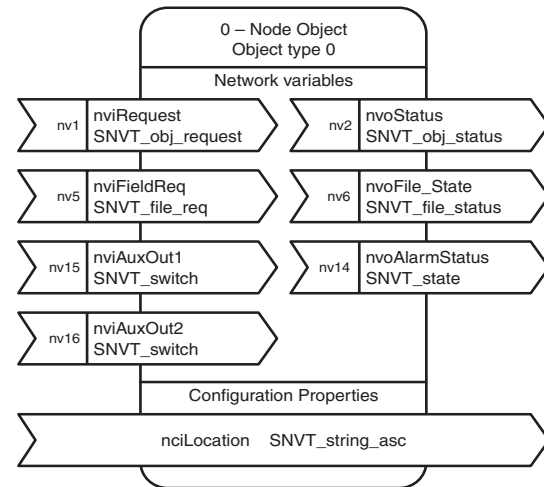
HARDWARE INTERFACE

No.	Designation	Description
1	X1	Damper 1 Open
2	M	Signal Ground
3	X2	Damper 1 Closed
4		No Connection
5		No Connection
6	M	Signal Ground
7	X3	Damper 2 Open
8		No Connection
9	M	Signal Ground
10		No Connection
11	K4	Auxiliary Output 2
12	KC2	Common K4
13	N	Power supply 0V
14	L	Power supply 230 VAC
15	C1	TP/FT-10 communication channel
16	C2	TP/FT-10 communication channel
17	M	Signal Ground
18	X4	Damper 2 Closed
19		No Connection
20		No Connection
21		No Connection
22		No Connection
23		No Connection
24		No Connection
25	K3	Auxiliary Output 1
26	K2	Activate Damper 2
27	K1	Activate Damper 1
28	KC1	Common K1, K2 and K3

DIMENSIONS



LONMARK OBJECTS AND NETWORK VARIABLES



TAC and TAC products are trademarks and/or registered trademarks of TAC AB.
All other trademarks belong to their respective owners. Copyright 2003 © TAC AB. All rights reserved.